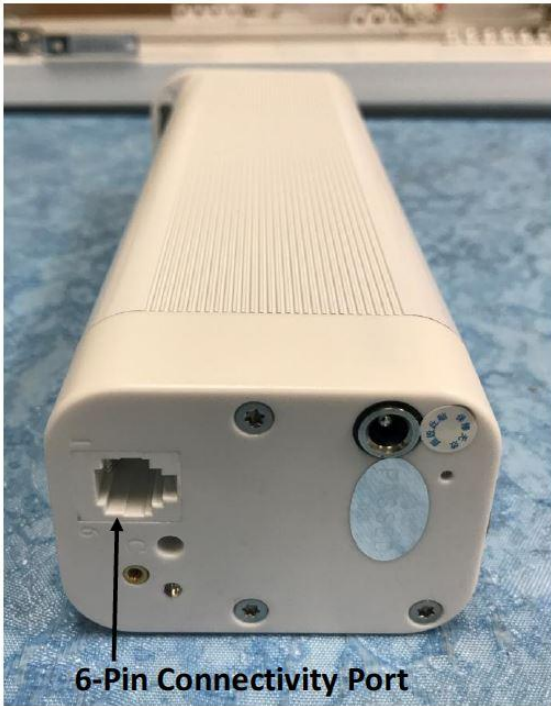


6-pin RJ12 Port for Home Automation / Home Theater System



The 6-pin connectivity port is for “contact closure”.

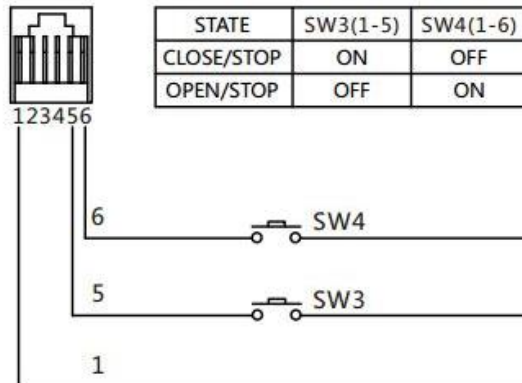
Any Home Automation System such as Control-4, Z-Wave, Insteon, Crestron, ...etc. that is able to dry contact in low voltage is able to operate the curtain.

Amazon Echo, Samsung SmartThing, Google Home, Apple HomeKit is also able to operate the curtain through any one of the above mentioned setup with the required cable and controller/relay/module. For the wiring instruction, please email us the set up you would like to accomplish.

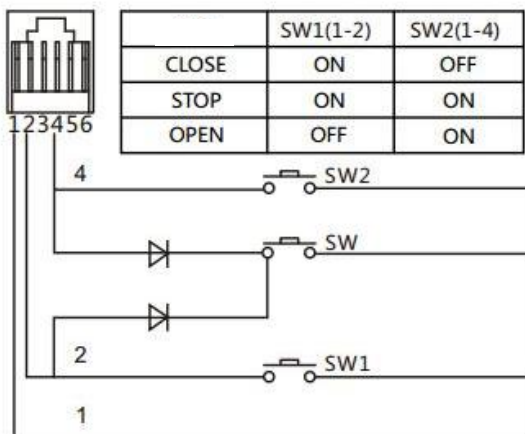
6P6C

PIN	DESCRIPTION
1	GND
2	CLOSE(34)
3	OPEN/STOP/CLOSE/STOP
4	OPEN(34)
5	CLOSE(12)/RS485-B
6	OPEN(12)/RS485-A

1/2 control logic



3/4 control logic



RS485 (only supported by custom programming)

